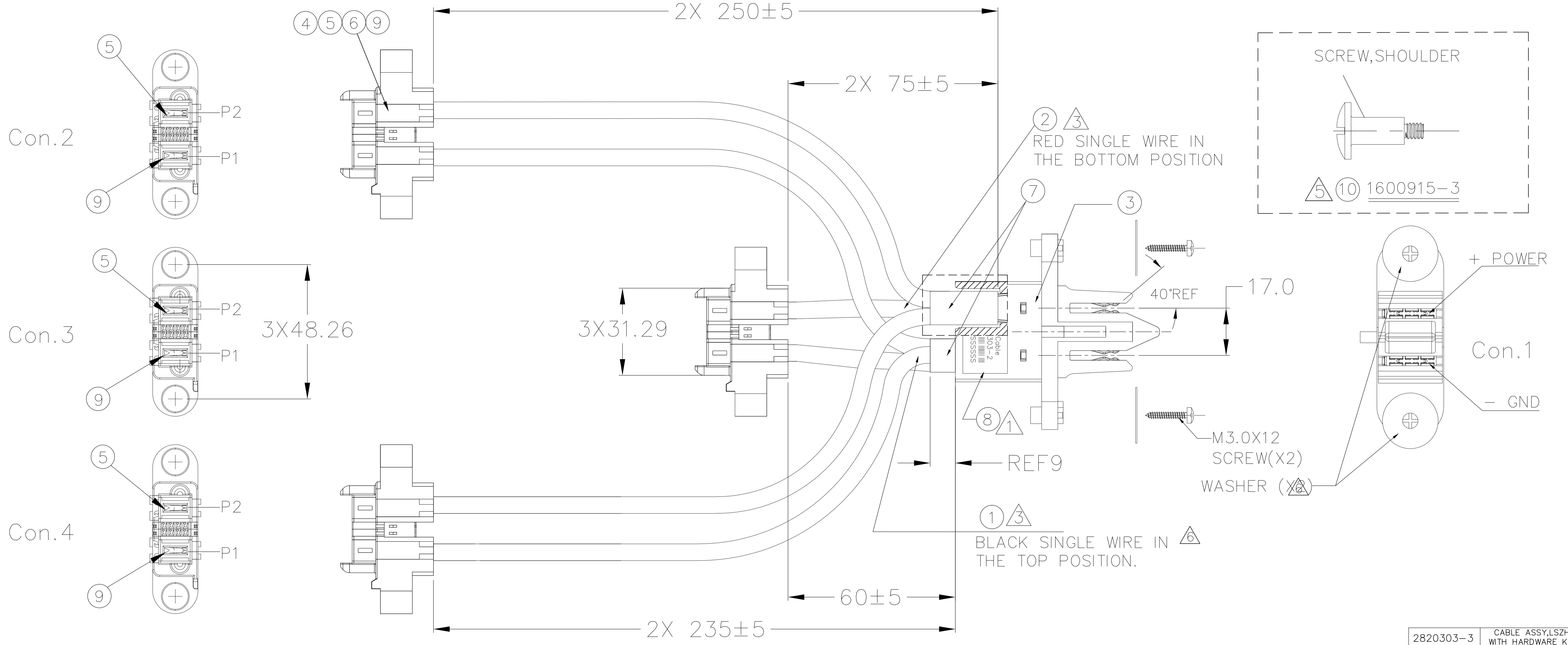


REVISIONS					
P	LTR	DESCRIPTION	DATE	DWN	APVO
E7		Revised Bus-Bar mating Interface Specifications	11AUG2016	AC	DZ



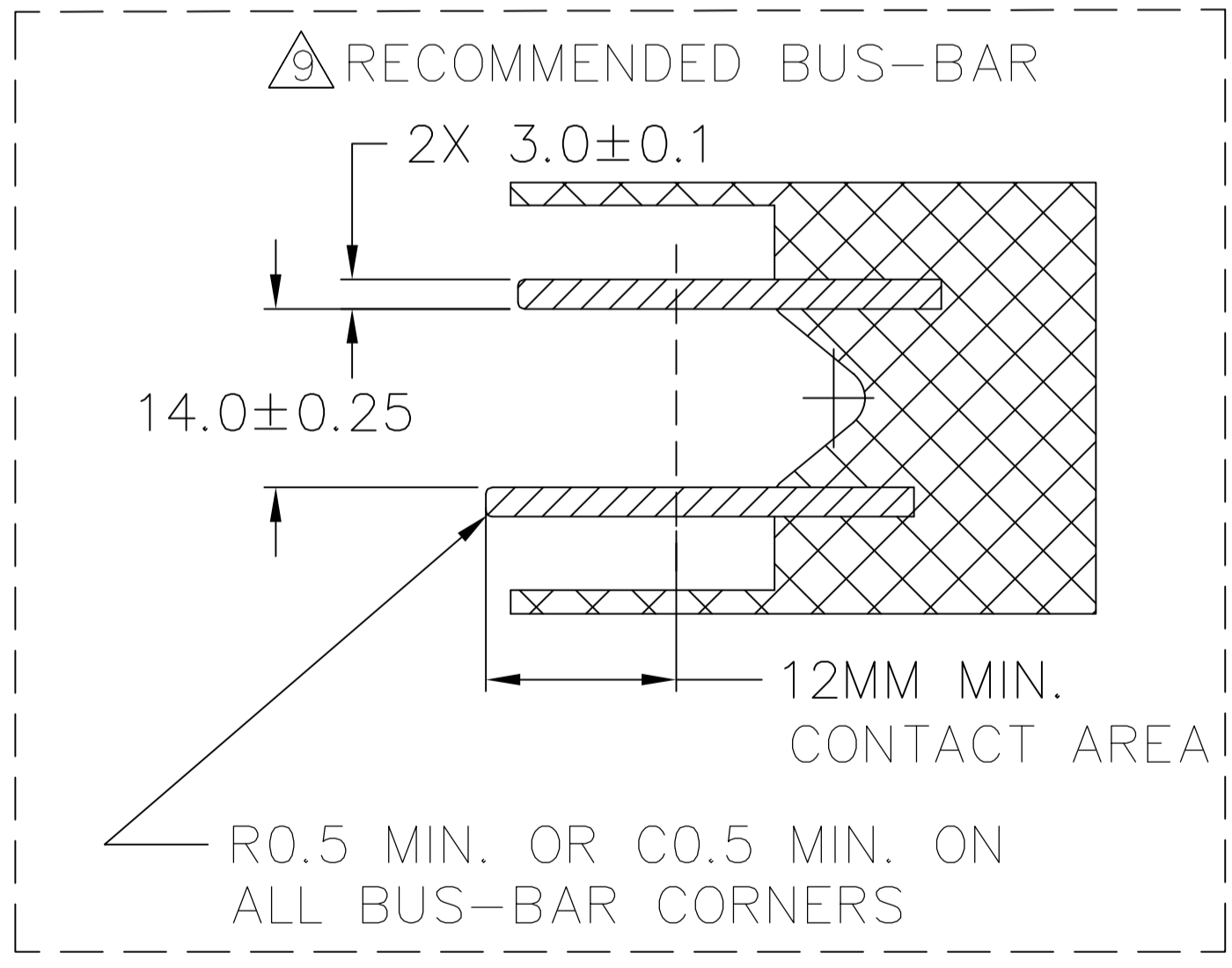
NOTES:
 1 THE MARKING TEXT AS FOLLOWS:

Medusa Cable
 TE PN: 2820303-2 — TE PN
 — BAR CODE
 SN: MCTYYWSSSSSS — MCT-Medusa Cable.YYWW-DATE CODE,SSSSSS-SERIES NUMBER.

- 2. 100% ELECTRICALLY TESTED: OPEN/SHORT,HI-POT.
 HI-POT: 500VDC, 50 MEGA OHMS FOR 100 MILLISECONDS.
- 3 SINGLE WIRE WILL BE ALTERNATING PATTERN WHEN CRIMPING CCJ TERMINAL.
- 4. ROHS COMPLIANCE: PRODUCT AND PROCESSING MEETS REQUIREMENTS OF TE SPECIFICATION TEC-138-702.
- 5 HARDWARE KIT FOR MBXLE ONLY SCREW IS SUPPLIED BY TE. THE SCREWS WILL BE PACKAGED SEPARATELY. NUT WILL BE SUPPLIED BY CUSTOMER.
- 6 SCREWS AND WASHERS FOR CCJ HOUSING WILL BE PACKAGED SEPARATELY. RECOMMENDED TORQUE 4kgf.cm MAX.
- 7 INDIVIDUALLY PACK EACH CABLE ASSEMBLY WITH A CLEAR ANTI-STATIC ZIPLOCK BAG.
- 8 APPLY LABEL ONTO CLEAR ANTI-STATIC ZIPLOCK BAG,THE MARKING TEXT AS FOLLOWS:

TE P/N REV.* — TE PN &REV.
 DATE CODE: YYWW — YY: Year; WW: week.
 MADE IN **** — Country of Origin

9 THE MATTED BUS-BAR SHOULD HAVE SURFACE ROUGHNESS Ra 1.6um MAX. SHOULD HAVE PLATING 3um MIN. SILVER IN CONTACT AREA, AND 1.27um MIN. Ni ALL-OVER.



WIRING CHART

FROM	TO	COLOR	SIZE
Con.2-P1	Con.1	BLACK	8 AWG
Con.3-P1	- GND		
Con.4-P1	Con.1	RED	8 AWG
Con.2-P2	Con.1	RED	8 AWG
Con.3-P2	+ POWER		
Con.4-P2			

TE P/N	NOTE
2820303-3	CABLE ASSY,LSZH WITH HARDWARE KIT
2820303-2	CABLE ASSY WITH HARDWARE KIT
2820303-1	CABLE ASSY ONLY

QTY	UNIT	QTY	UNIT	QTY	UNIT	QTY	UNIT	DESCRIPTION	ITEM NO
1	1	-	PC	12	12	1	1	LABEL ON THE ANTI-STATIC ZIPLOCK BAG.	12
1	1	-	PC	11	11	1	1	CLEAR ANTI-STATIC ZIPLOCK BAG.	11
6	6	-	PC	10	10	6	6	HARDWARE KIT FOR X,Y FLOATING SCREW,SHOULDER.	10
3	3	3	PC	9	9	3	3	MBXLE RECEPT POWER CONTACT MFBL.	9
1	1	1	PC	8	8	1	1	LABEL	8
AR	AR	AR	M	7	7	AR	AR	HEAT SHRINK TUBE	7
6	6	6	PC	6	6	6	6	MBXLE RECEPT POWER LOCK.	6
3	3	3	PC	5	5	3	3	MBXLE RECEPT POWER CONTACT STD.	5
3	3	3	PC	4	4	3	3	MBXLE RECEPT PMT CABLE HOUSING 1P/8S/1P	4
1	1	1	PC	3	3	1	1	CCJ CONNECTOR.	3
AR	-	-	FT	2	2	AR	AR	WIRE, 8AWG,HIGH STRAND/HIGH FLEX,RED,LSZH	2
-	AR	AR	FT	1	1	-	-	WIRE, 8AWG,HIGH STRAND/HIGH FLEX,RED. VENDOR:Hwatek.Alternative:New England.	
AR	-	-	FT	1	1	AR	AR	WIRE, 8AWG,HIGH STRAND/HIGH FLEX,BLACK,LSZH	1
-	AR	AR	FT			-	-	WIRE, 8AWG,HIGH STRAND/HIGH FLEX,BLACK. VENDOR:Hwatek.Alternative:New England.	
-3	-2	-1	U/M			-3	-2		

THIS DRAWING IS A CONTROLLED DOCUMENT.

DIMENSIONS: mm	TOLERANCES UNLESS OTHERWISE SPECIFIED:	DWN: Grace Li 04DEC2013	CHK: Glen Gutgold 04DEC2013	APR: David Zhang 04DEC2013	NAME: David Zhang
0 PLC ±	1 PLC ± 0.40	PRODUCT SPEC: 108-2157/152000			
2 PLC ± 0.25	3 PLC ±	APPLICATION SPEC: 114-13112			
4 PLC ±	ANGLES ±	WEIGHT: 288	SIZE: A1	CAGE CODE: 00779	DRAWING NO: 2820303
MATERIAL: -	FINISH: -	CUSTOMER DRAWING	SCALE: N.T.S.	SHEET: 1 of 1	REV: E7

STE TE Connectivity
 CABLE ASSY,CUBBY POWER Medusa,E5